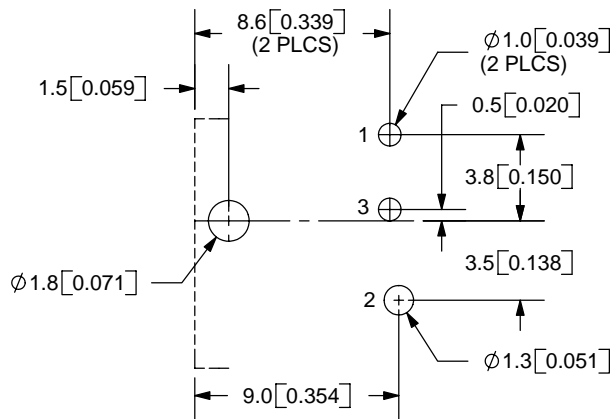
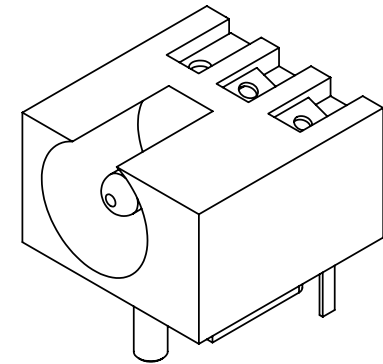
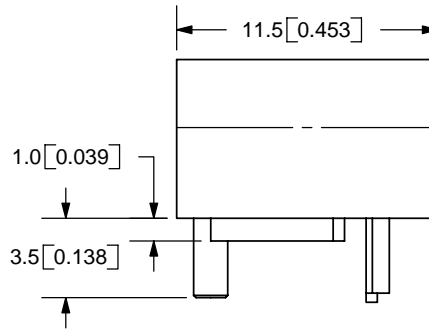
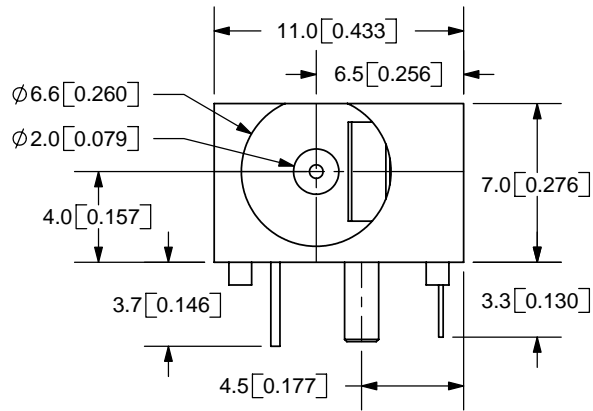
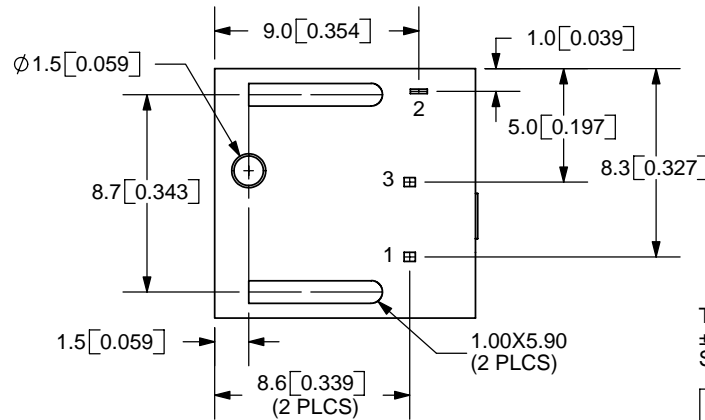


REV.	DESCRIPTION	DATE
A	NEW DRAWING	5/17/2006



PCB LAYOUT
TOP VIEW



TOLERANCE:
±0.3mm UNLESS OTHERWISE
SPECIFIED



MODEL NO.	PJ-012A
SCHEMATIC	

CENTER PIN DIAMETER 2.0mm

SPECIFICATIONS:

RATING: 16V DC @ 2A
 CONTACT RESISTANCE: 30m OHMS MAX
 INSULATION RESISTANCE: 100M OHMS MIN: 500V DC
 VOLTAGE WITHSTAND: 500V AC R.M.S. FOR 1 MINUTE
 LIFE: 5,000 CYCLES

	MATERIAL	PLATING
CENTER PIN	Copper	Nickel
TERMINAL 1	Brass	Silver
TERMINAL 2	Titanium Copper Alloy	Silver
TERMINAL 3	Brass	Silver
HOUSING	PBT	



9615 SW Allen Blvd., Ste. 103
 Beaverton, OR 97005
 Phone: 503-643-4899
 800-275-4899
 Fax: 503-372-1266
 Website: www.cui.com

TITLE: DC POWER JACK	REV: A
PART NO. PJ-012A	UNITS: MM [INCHES]
DRAWN BY: ZRJ	APPROVED BY:
	SCALE: 3:1